



# LOW PROFILE SERIES

## UNDERWATER AND HARSH ENVIRONMENT CONNECTORS

Low Profile series is designed to offer connectivity for underwater systems and equipment where space is restricted or a more compact solution is required. By means of the low profile layout users are able to assemble design optimised, streamlined and effective underwater systems with sensors, sonar heads and other types of equipment producing less drag.

Low Profile connectors are manufactured from high-grade rubber with different types of body material available. They feature the same contact sizes as the Circular series and are available with 2 to 9 contacts rated at 600 V up to 10 A. The series includes bulkhead and inline versions featuring a high depth rating.

For easy integration with systems and equipment Low Profile series connectors are available with dedicated cables, rubber straps and pressure-proof dummy connectors.

### Applications

- Remotely Operated Vehicle (ROV) systems and instrumentation bottles
- Oceanographic systems, equipment and instrumentation solutions
- Defence systems and equipment
- Offshore oil and gas, renewable energy and subsea systems
- Underwater camera, video and lighting systems
- Diving systems and equipment

### Options

- Customised harness cables and direct moulding to selected polyurethane (PUR) cables
- Customer specified cable, wire leads and bulkhead thread lengths
- Customer specified connector body material



# OUR ADVANTAGES



## EASY SOLUTIONS

ADAPTABILITY IS ONE OF OUR BEST QUALITIES IT PERMIT US TO COPE WITH YOUR REQUEST ON A SHORT NOTICE AND EFFECTIVELY.



## NO PRICE FIGHTS

WE ESCAPED THE CLASSICAL "REBATE UNTIL YOU DROP" POLICY. WE ARE PRICE WISE SINCE THE BEGINNING



## HIGH LEVEL EXPERIENCE

OUR TECHNICAL CAPABILITIES HAVE BEEN TESTED FOR MORE THAN 30 YEARS AND IN DIRECT CONNECTION WITH END USERS. SO TODAY



## ENDLESS INVESTIGATION

WE CONTINUOUSLY MEASURE EVERYTHING TEST, TEST AND TEST AGAIN. THIS HELPS US UNDERSTAND RISKS AND REWARDS. AND BE PREPARED



## NO FORTUNE TELLER

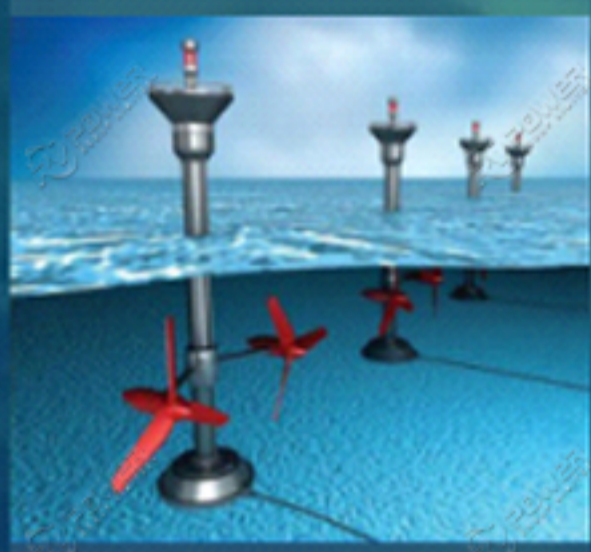
WE BASE OUR DECISIONS ON CLEAR BUSINESS PLANS, THINKING BEFORE MAKING OUR STEPS AND KEEPING A "NOT TO DO" LIST FOR EVERYONE OF THEM



## TEAM BUILDING

OUR TEAM IS MADE NOT ONLY BY OUR STAFF BUT IT INCLUDES ALSO ALL OUR CUSTOMERS WE ACT LIKE A TEAM WE GROW LIKE A TEAM WE WIN LIKE A TEAM

# APPLICATION



Marine Renewable Energies



Diving



Oil and Gas



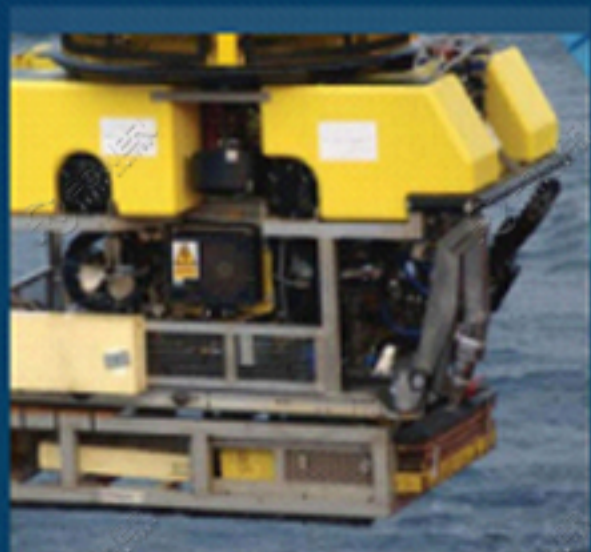
Towed Streamers



Submarines



Water Treatment



ROVs & AUVs

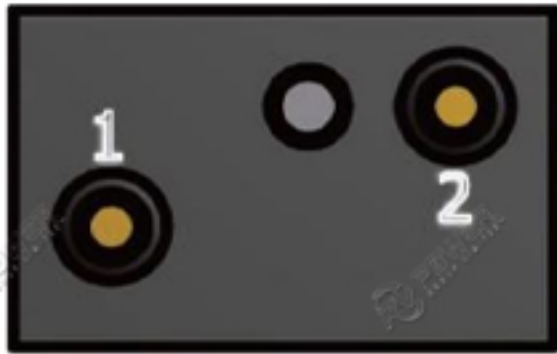


Vessels



Geophysics

# PRODUCT MIX



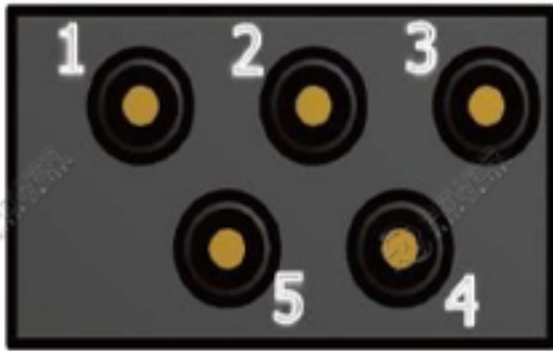
Low Profile Series 2 contacts



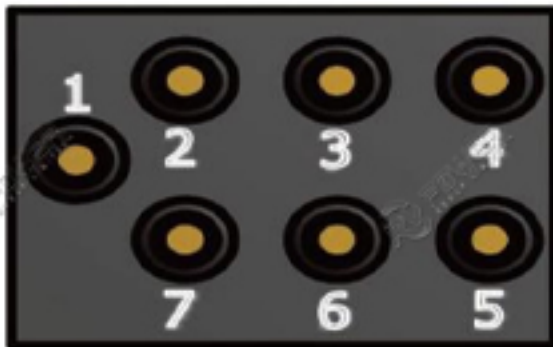
Low Profile Series 3 contacts



Low Profile Series 4 contacts



Low Profile Series 5 contacts

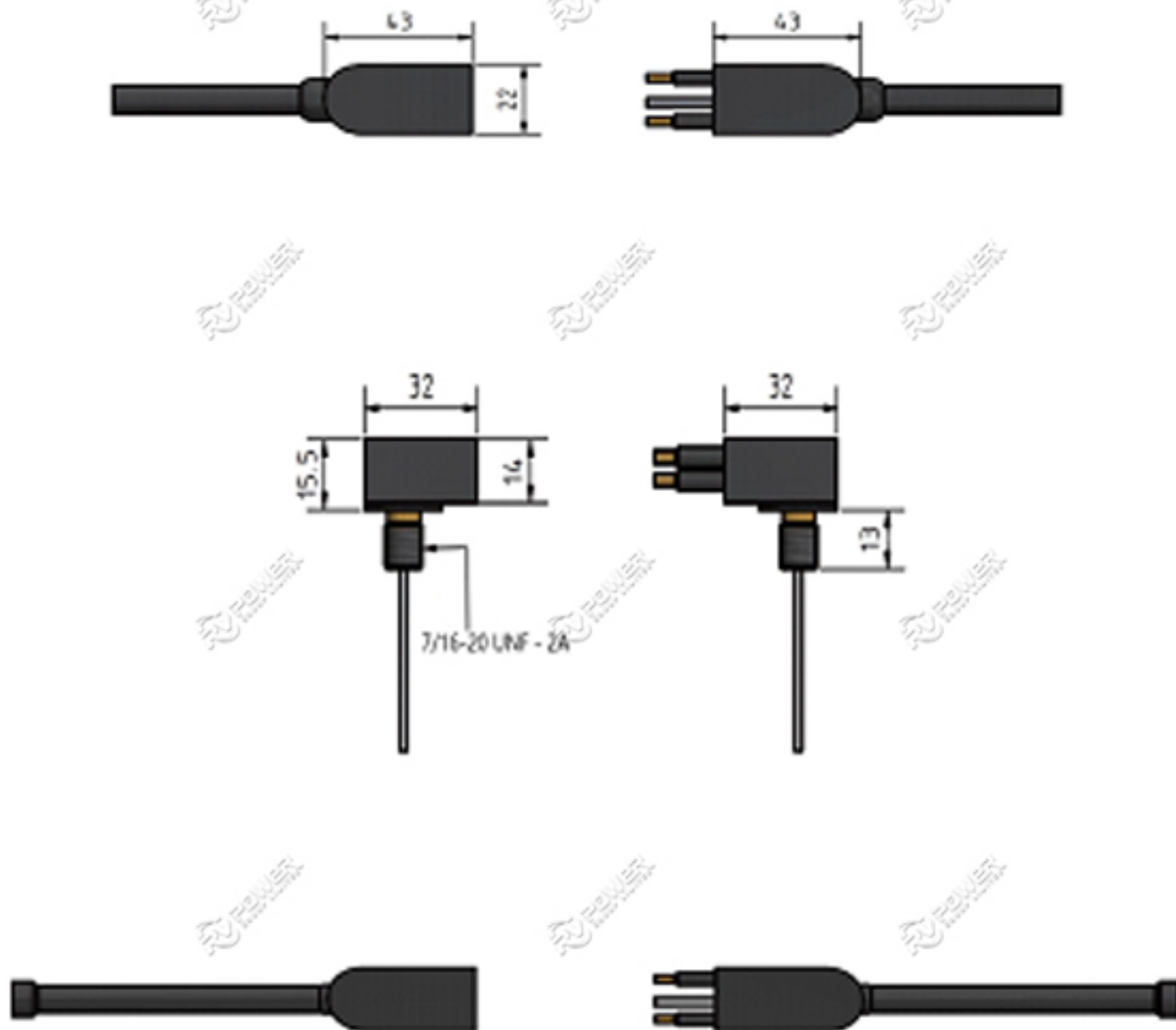


Low Profile Series 7 contacts

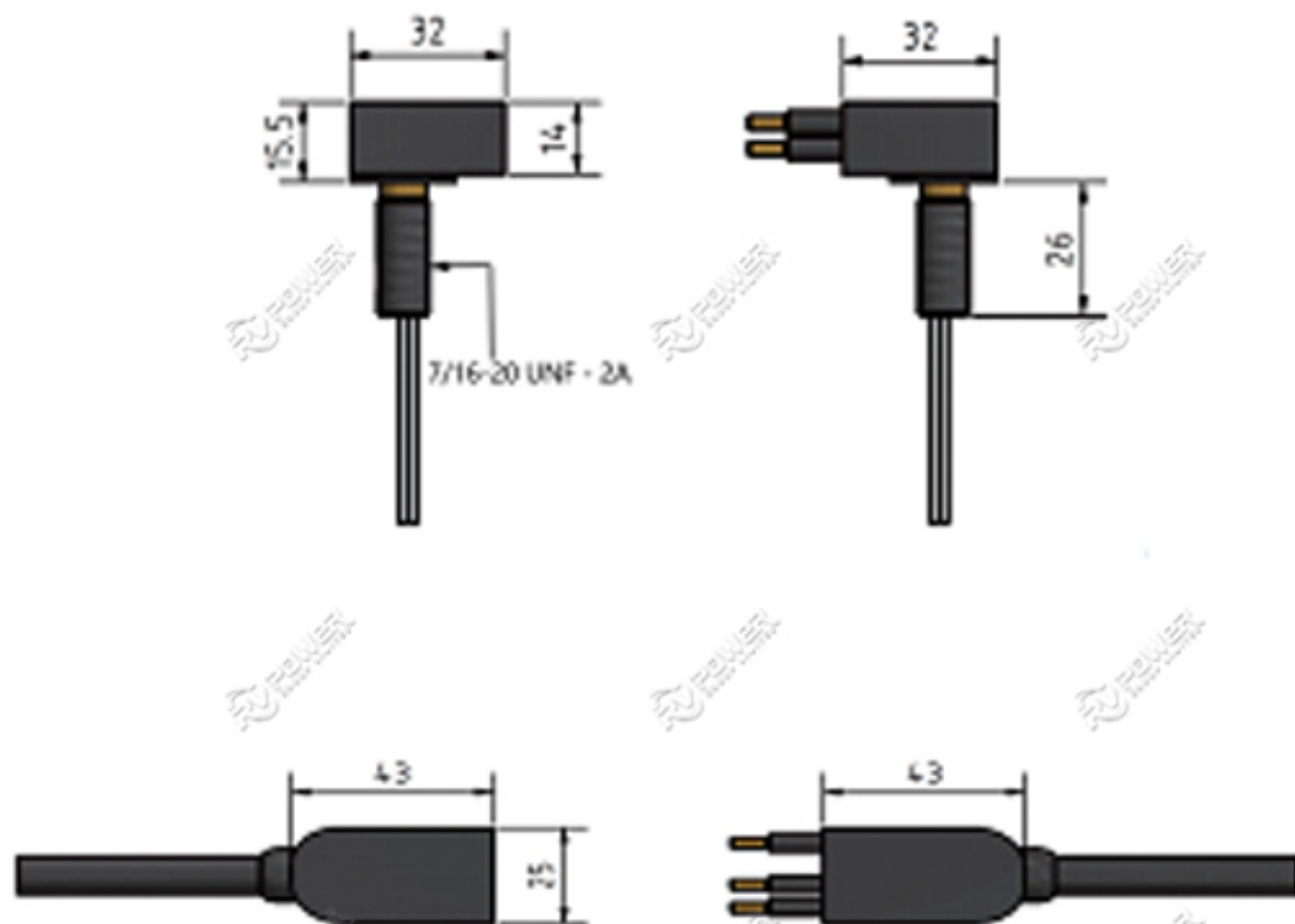


Low Profile Series 9 contacts

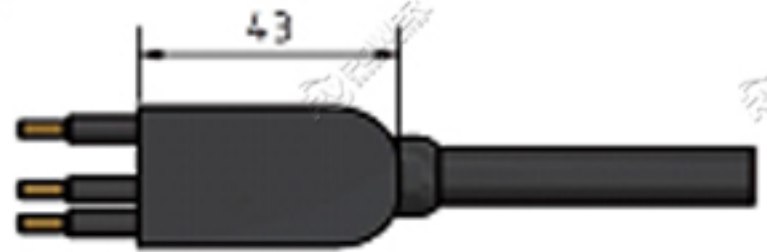
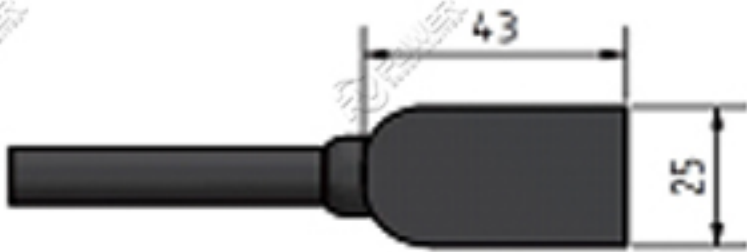
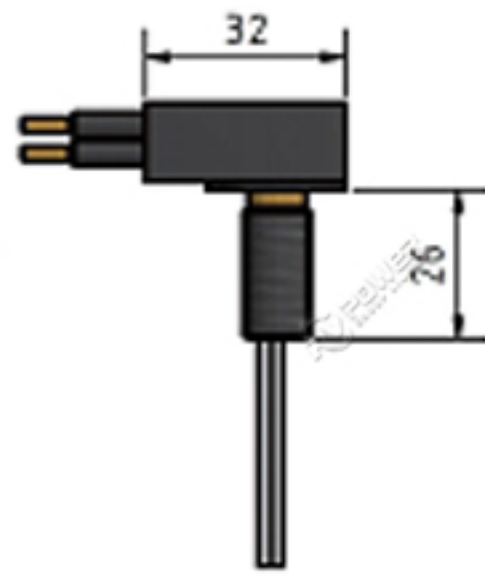
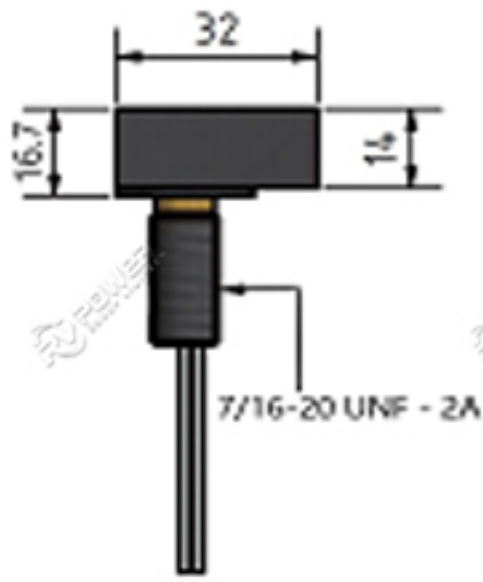
## LOW PROFILE 2CONTACTS



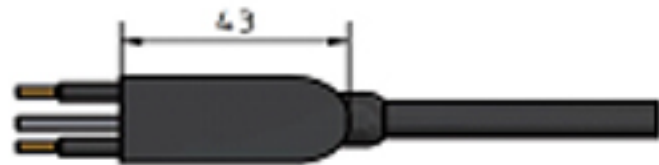
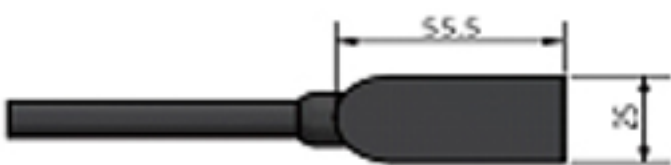
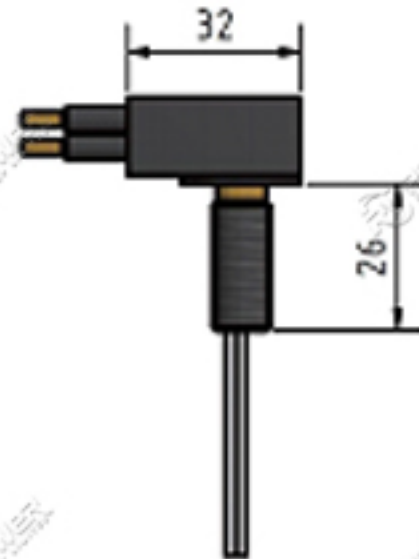
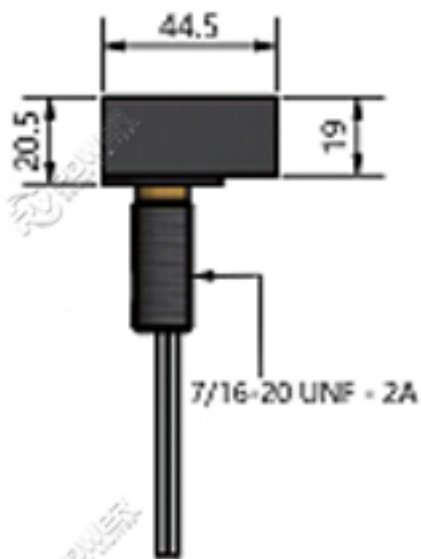
## LOW PROFILE 3, 4 CONTACTS



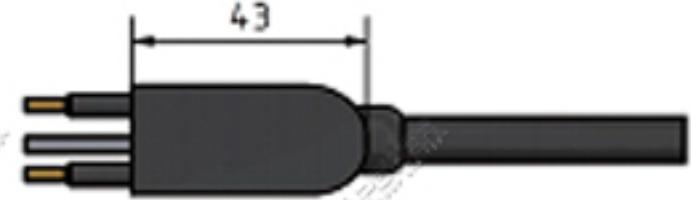
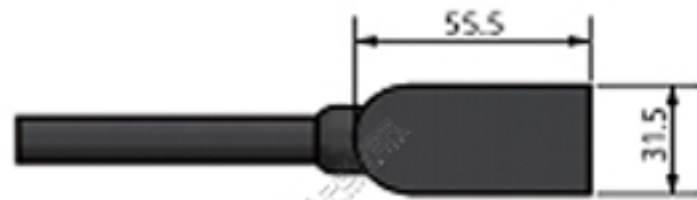
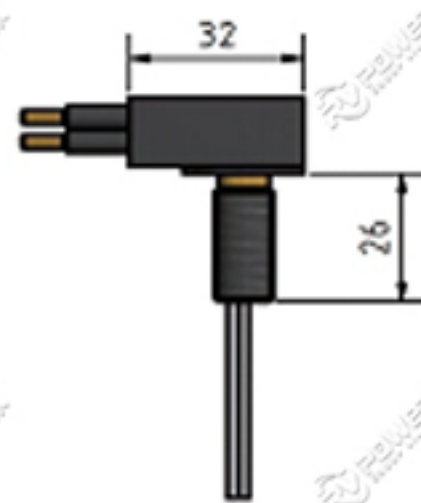
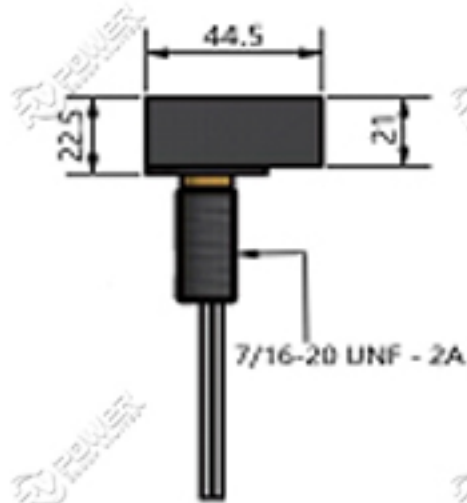
## LOW PROFILE 5CONTACTS



## LOW PROFILE 7CONTACTS



# LOW PROFILE 9CONTACTS







# SUBSEA CONNECTORS AND SUBSEA CABLES

RV POWER GROUP is a underwater connector factory in China. We are a global supplier focusing on the ocean (marine) solution for underwater connectors and cables. Specializing in the design, manufacture, sales and service. If your project is in the design stage, we can provide engineering assistance with the professional advice. If your requirements are already specified and ready for quote, we will try our best to meet your deadlines and pricing targets and finally deliver the high-quality stable products as you need.

RV POWER GROUP subsea connectors and subsea cables are suitable for oceanographic systems, offshore oil and gas, defense systems, geo-seismic research, diving systems and equipment, ship projects, subsea survey, underwater instruments, mining equipment, underwater monitoring/inspection/observations, underwater data logger, subsea navigator, hydrography equipment, aquaculture farm and services inspection, underwater robotics like remote operation vehicles (ROV's & ROTOV's) and autonomous Underwater Vehicles (AUV), and submarines, ship towed sonars and underwater acoustic devices, etc.

With the state-of-the-art technology and professional engineer team, we believe you find the right partner here with excellent service. In case you do not find a suitable solution within our standard range, please do not hesitate to contact us for customization.

# Underwater and harsh environment connectors

Circular Series

Micro Circular Series

Low Profile Series

Micro Low Profile series

Ethernet Series

Optical fiber and Power Series

Power series

Split Series

Aviation plug Series

Coax series

Metal Shell series

RMG Series

55 Series

Specials Series

Underwater PUR Cable

ROV Tether Cable

Additional accessories



Instrumentation cables

Fire-performance & mud-resistant cables

ROV dynamic umbilicals

Maritime LAN

Data acquisition cables

Transfer lines

Umbilicals

Copper/fiber LAN

Remote Operated Vehicles

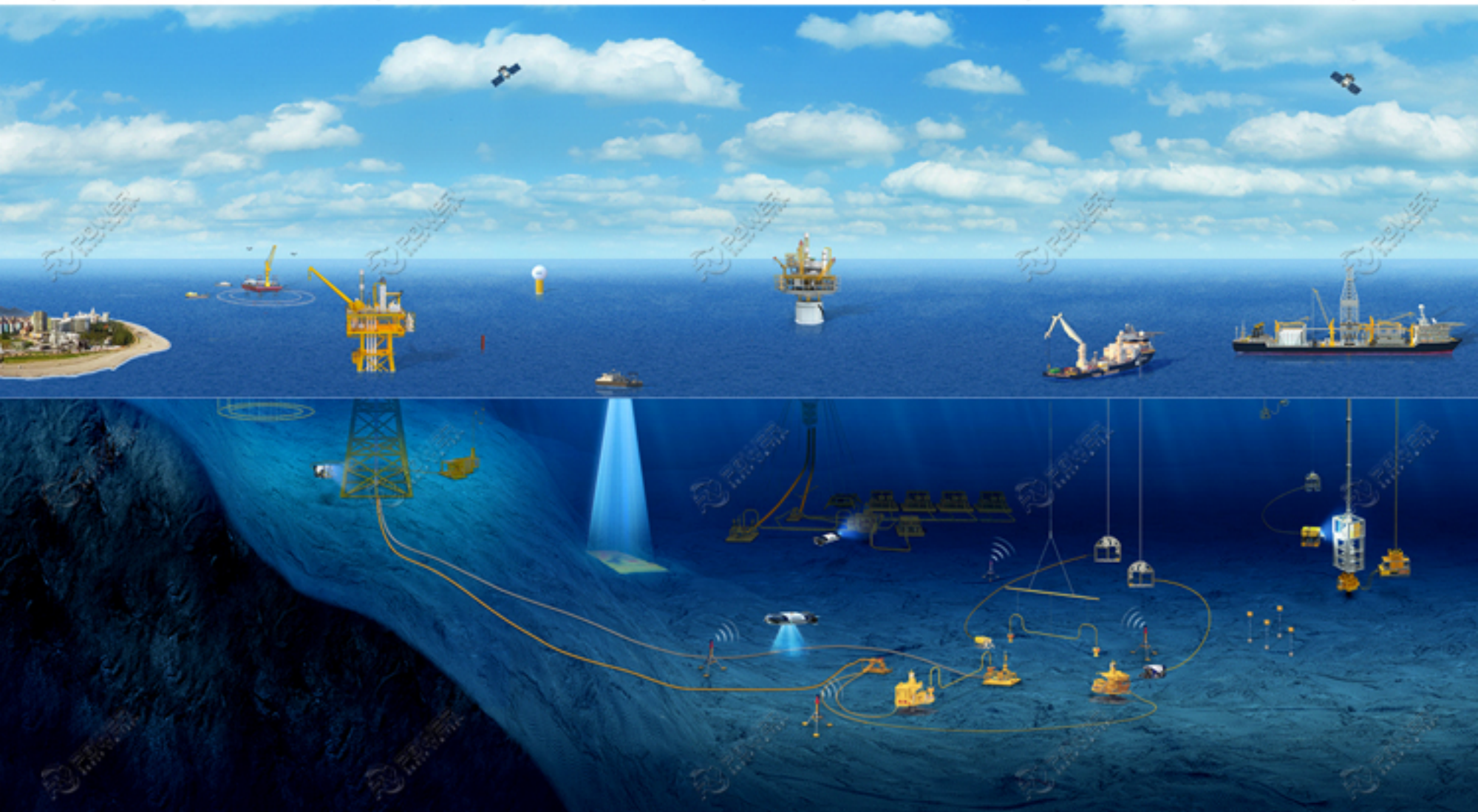
Marine fiber backbones

Heating cables

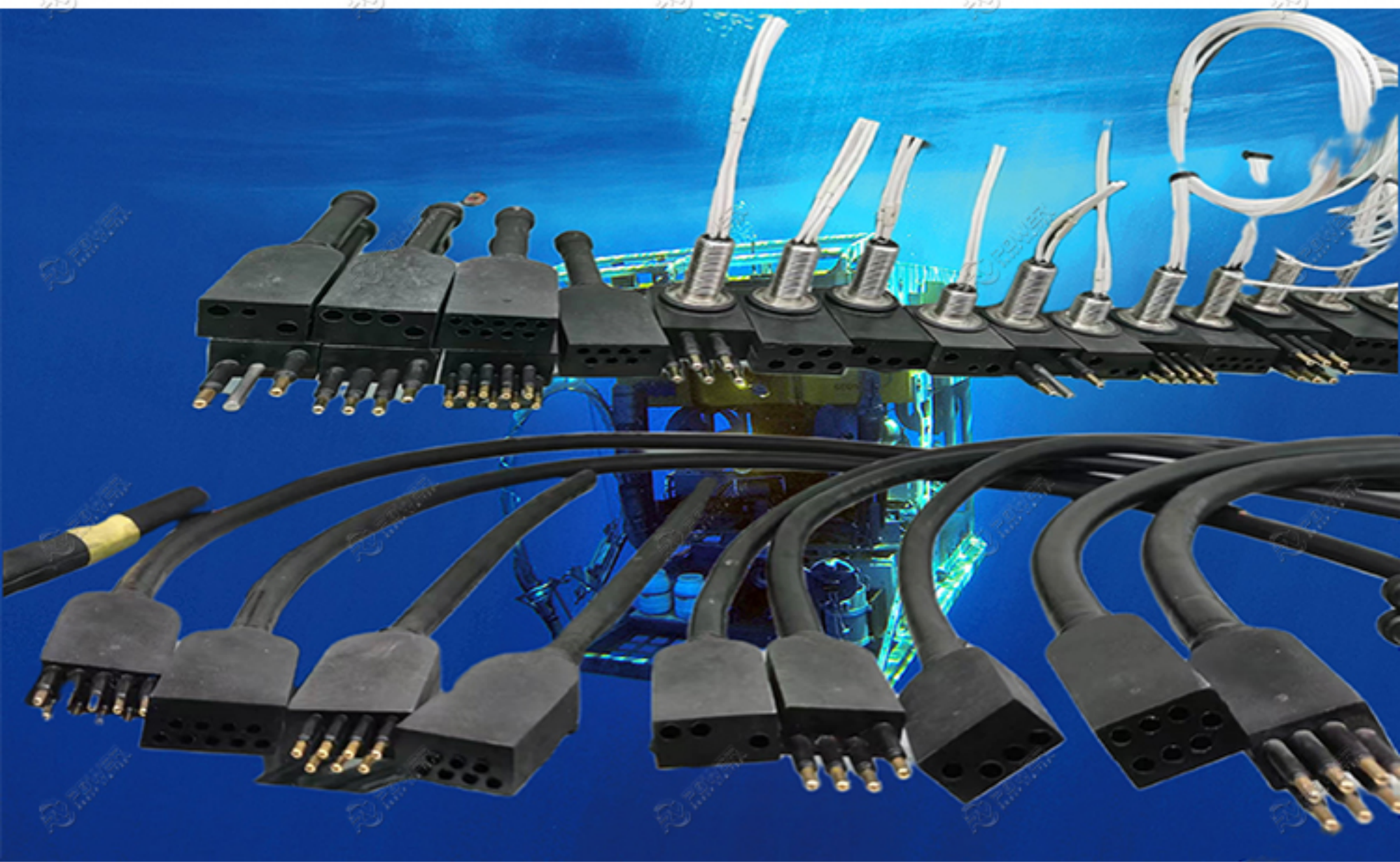
Optical fiber backbones

LV, MV, HV cables

Accessories & custom software



# CIRCULAR SERIES UNDERWATER AND HARSH ENVIRONMENT CONNECTORS



# DETAIL DISPLAY



## ONE

Low Profile series is available with 2 to 9 contacts rated at 600 V up to 10 A

## TWO

The series includes bulkhead and inline versions featuring a high depth rating



## THREE

The series is available with dedicated cables, rubber straps and pressure-proof dummy connectors



## FOUR

available in bulkhead, in-line and field installable over-mould versions. All bulkhead connectors come with colour coded or numbered PTFE leads



## FIVE

dependable and rugged connectivity solution for underwater and harsh marine environment applications





**OIL RESISTANT**



**FLAE RESISTANT**



**HALOGEN FREE**



**COLD RESISTANT**



**ABRASION RESISTANT**



**OZONE RESISTANT**



**UV RESISTANT**



**MICROBE RESISTANT**



**MUD RESISTANT**



**WATER RESISTANT**

**OVER 20 YEARS**

OF SPECIAL CABLE AND CUSTOM-MADE CABLE / CONNECTORS MANUFACTURING

WE CAN TURN YOUR DESIGN INTO A REAL OBJECT.

# OUR TRANSPORTATION



# THANK YOU

---

FOR YOUR ATTENTION  
LOOK FORWARD TO COOPERATING WITH YOU



[www.subseaconn.com](http://www.subseaconn.com)



[sales@subseaconn.com](mailto:sales@subseaconn.com)



Jackiefanonline88



Tel:+86 18501648956



Whatsapp: +86-18501648956



specialcable